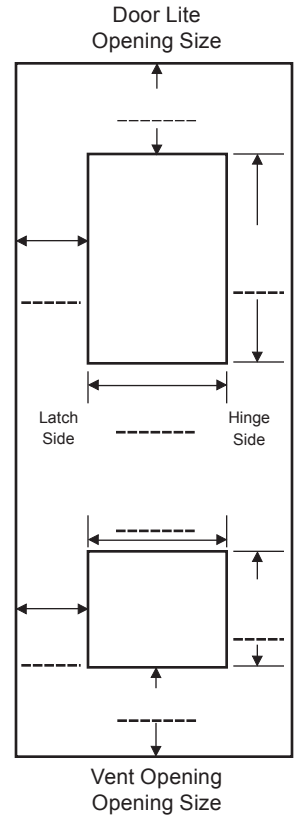
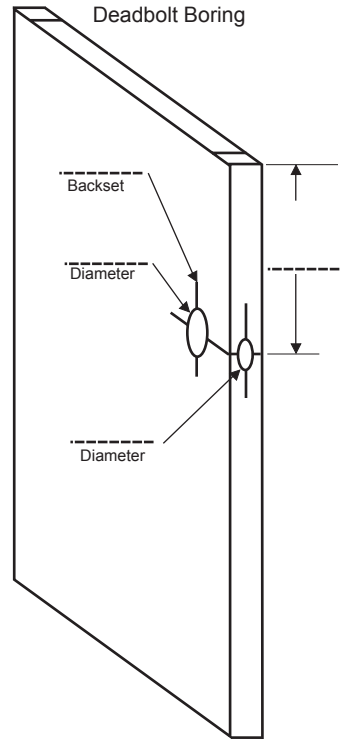
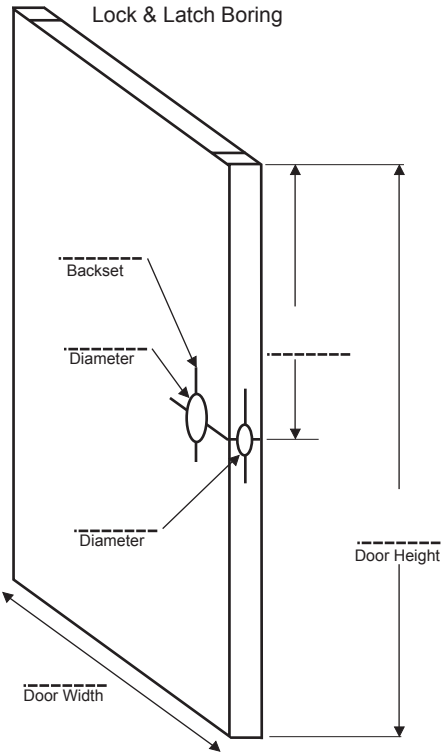
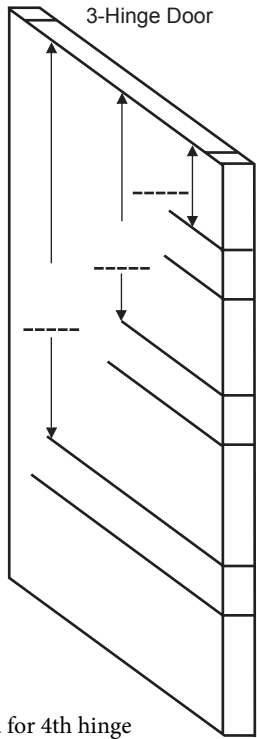


Order #

# 3-Hinge Machining Form

Dealer Name	Line #	Job Name
-------------	--------	----------



Quantity



Quantity

Notes

### Door Thickness:

### Hinge Specs

Leaf Length:

Leaf Thickness:

Corner Radius:

### Latch Plate

Plate Width

Plate Length

Plate Thickness

Corner Radius

### Deadbolt Plate

Plate Width

Plate Length

Plate Thickness

Corner Radius

Quantity Needed: